

LPSZ type control butterfly valve

Dimension range	DN 80 - 600 / NPS 3" - 24"
Pressure range	PN 64/75
Temperature range	- 60°C - +120°C

The LPSZ type control butterfly valve is suitable for controlling liquid and gas medium flows. Its advantage against other regulating valves is the lower pressure loss, and its significantly shorter installation length. The valve disc mounted onto the stem of high strength controls the flow when it turns around changing the size of flow cross section together with the flowing medium volume. The LPSZ butterfly control valve is not suitable for totally tight closure.

Materials:

- ASTM A352 LCC
- ASTM A351 CF8M

Main features:

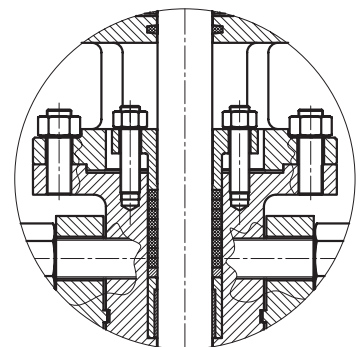
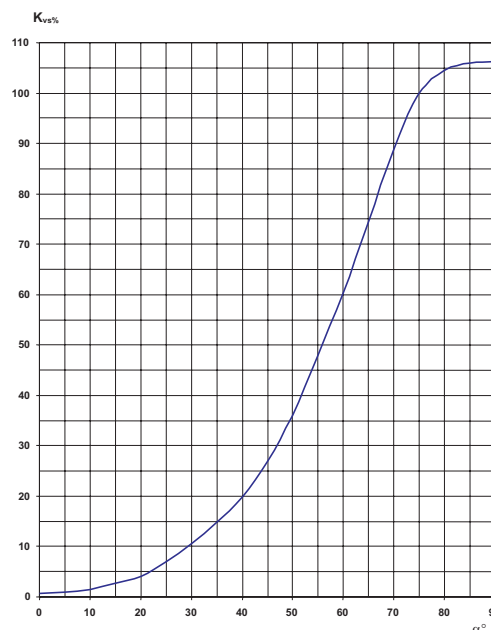
- High-strength stem
- PTFE bearings
- Flat disc
- Butt welded ends

Design possibilities:

- Electric motor operation
- Lever actuating
- Direct actuating



Valve characteristic curve

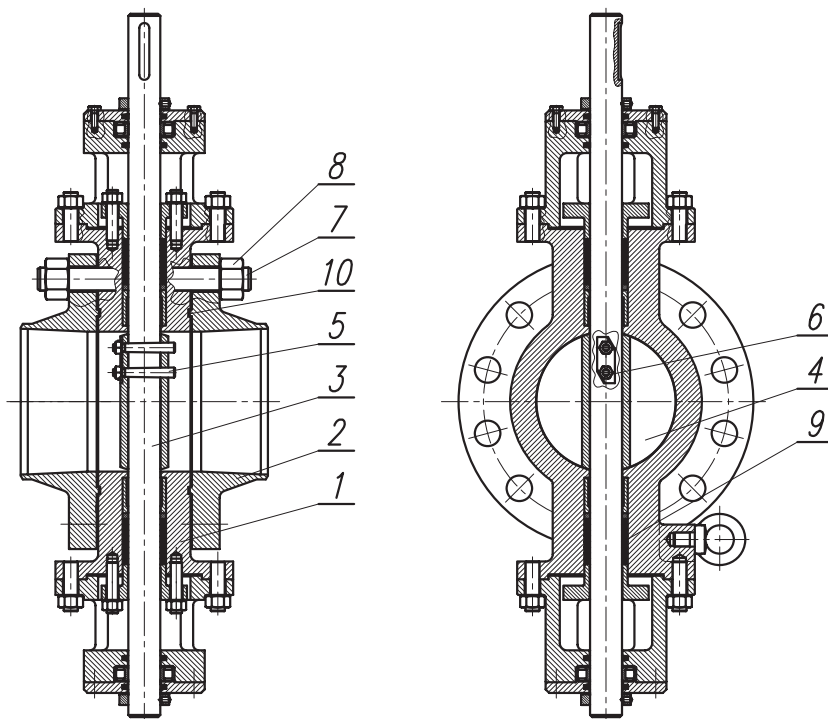


Design standards:

- Butt welded design: ASME B16.25; EN 12627
- Pressure test: API 6D; EN 12266-1
- NACE design: NACE MR0175 / ISO 15156

List of the main components

LPSZ type control butterfly valve

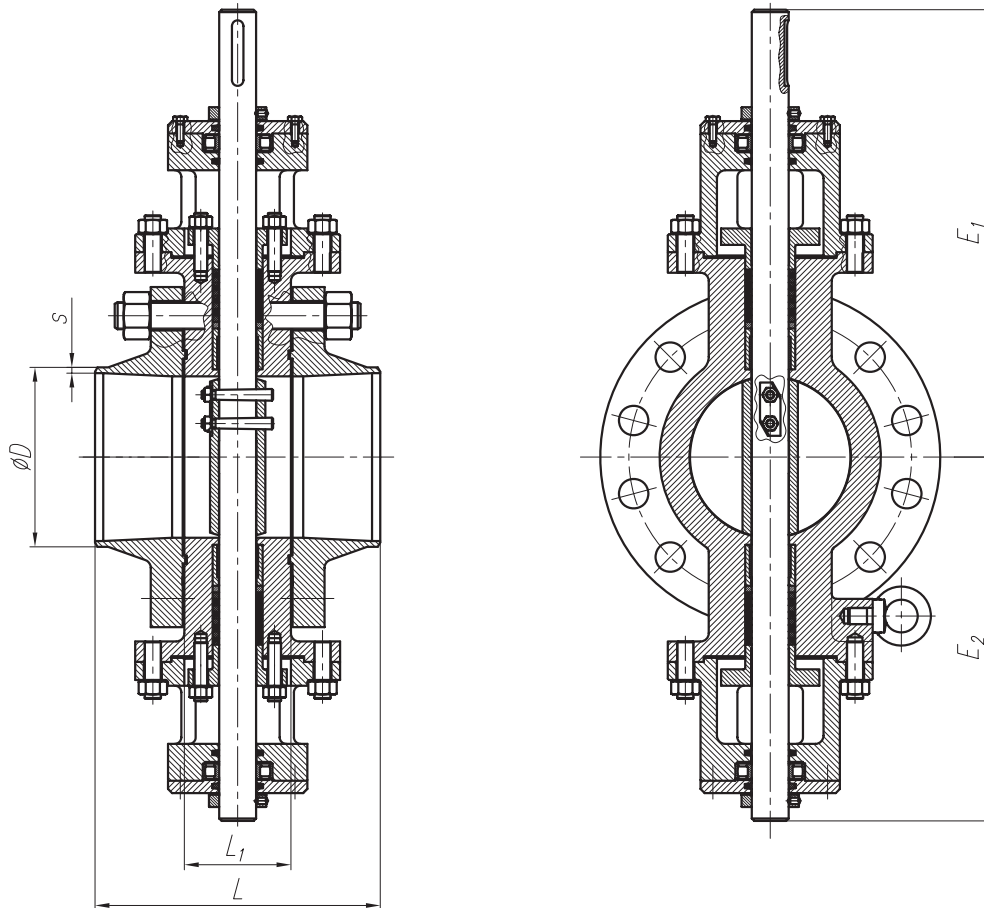


N°	Description	Standard design	NACE design	Corrosion-resistant design
		T= -46°C ~ +120°C	T= -46°C ~ +120°C	T= -60°C ~ +80°C
1	Body	ASTM A352 LCC	ASTM A352 LCC	ASTMA351 CF8M
2	Flange	ASTM A350 LF2	ASTM A350 LF2	ASTM A182 F316(L)
3	Axle	ASTM A564 630	ASTM A564 630	ASTM A564 630
4	Disc	ASTM A487 4N	ASTM A487 4N	ASTM A351 CF8M
5	Threadedtaper dowel	ASTM A564 630	ASTM A564 630	ASTM A564 630
6	Screw nut	ASTM A194 Gr.4	ASTM A194 2HM	ASTM A194 8M
7	Adapterr	ASTM A320 L7	ASTM A320 L7M	ASTM A193 B8M Cl.2
8	Screw nut	ASTM A194 Gr.4	ASTM A194 2HM	ASTM A194 8M
9	Stuffing box sealing	PTFE / Grafit	PTFE / Grafit	PTFE / Grafit
10	Body-flange sealing	316L+Grafit	316L+Grafit	316L+Grafit

- For other mediums, orders on material quality is based on temperature.

Chart of dimensions

LPSZ type control butterfly valve EN



PN 25

DN	L (mm)	L ₁ (mm)	E ₁ (mm)	E ₂ (mm)	ØD (mm)	s (mm)
600	437	210	1045	703	610	11

PN 64/75

DN	L (mm)	L ₁ (mm)	E ₁ (mm)	E ₂ (mm)	ØD (mm)	s (mm)
80	228	85	430	290	88,9	3,6
100	239	85	460	315	114,3	4
150	284	100	500	365	158,3	5,6
200	348	130	550	440	219,1	7,1
250	376	130	566	454	273	8,8
300	406	180	602	498	323,9	11
350	477	180	640	535	355,6	12
400	501	200	686	579	406,4	12
500	557	220	769	658	*	*

* On customer demand