

# LGK type ball valve

Dimension range	DN 15 - 150 / NPS 1/2" - 6"
Pressure range	PN 16 - 40 / Class 150 - 300
Temperature range	- 60°C - +150°C

This floating ball valve for low pressures can be manufactured in a large size range. The body can consist of 2 or 3 pieces, made of rolled or forged steel at smaller sizes. For bigger sizes they are made of cast steel. The pre-tensioned sealing rings resulting in high safety closure. The ball is coated with high hardness nickel coating. On demand this ball valve can be manufactured with stem supplied with packing box and with actuator as well.

### Materials:

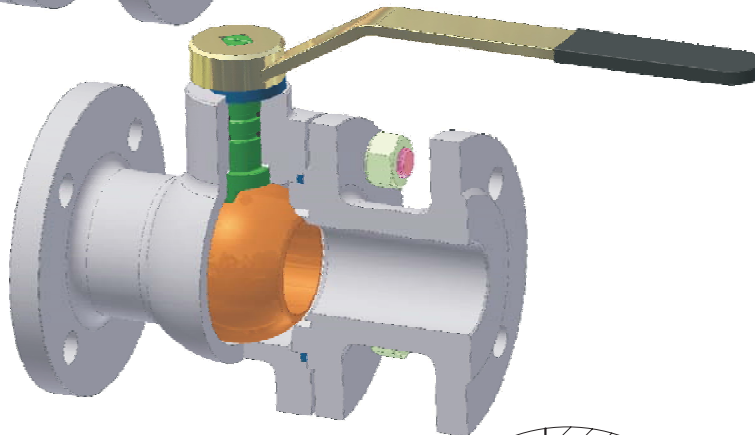
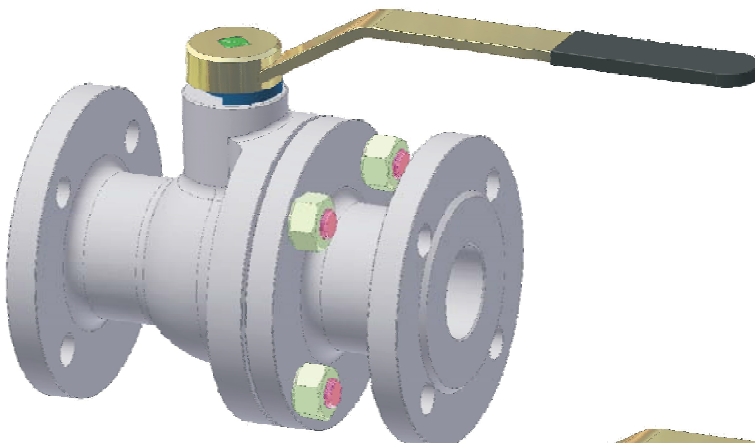
- ASTM A105; ASTM A216 WCB
- ASTM A350 LF2; ASTM A352 LCC
- ASTM A479 316(L); ASTM A351 CF8M

### Main features:

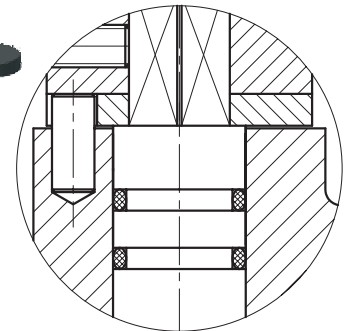
- Floating ball design
- 2 or three-piece body
- Flanged, threaded, or butt welded ends

### Design possibilities:

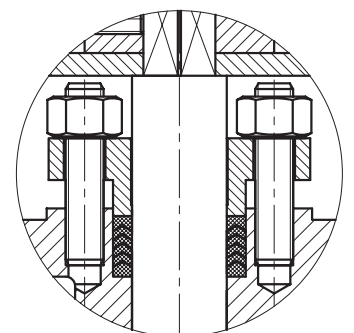
- Stem with packing
- Antistatic design
- Reduced bore design
- Electric motor operation
- Pneumatic operation



Driving bolt with "O"-rings

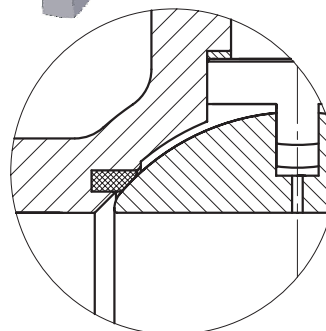


Driving bolt with gland



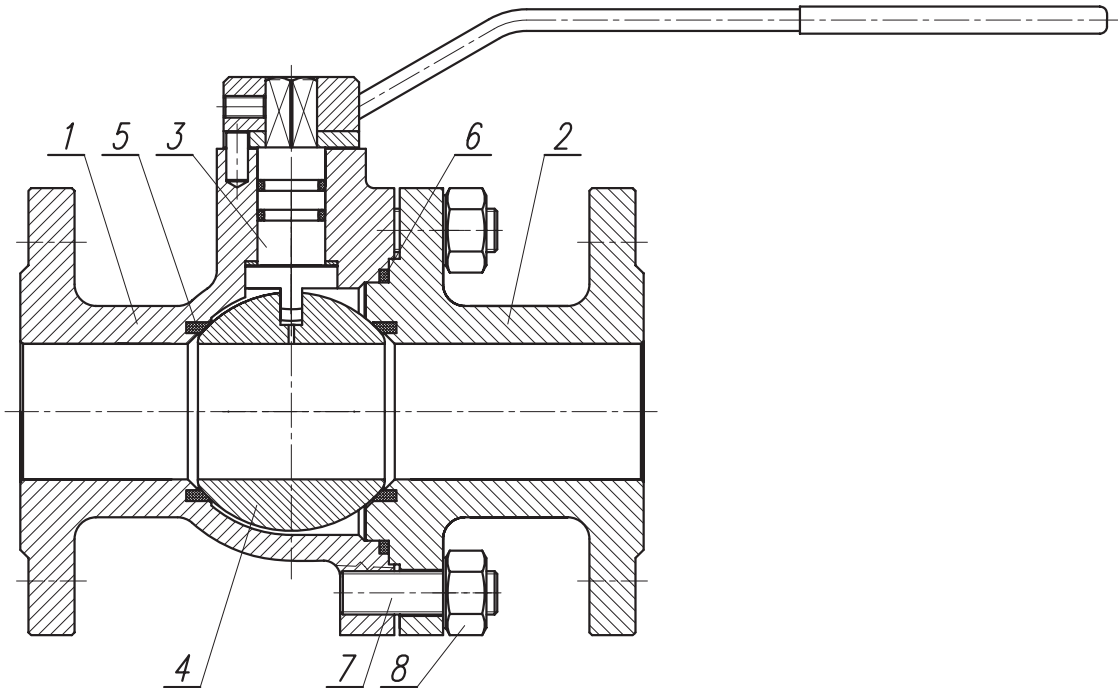
### Design standards:

- Face to face length: ASME B16.10; EN 558
- Butt welded type: ASME B16.25; EN 12627
- Flanged type: ASME B16.5; EN 1092-1; GOST 12815; GOST 12821
- Pressure test: API 598; EN 12266-1
- NACE design: NACE MR0175 / ISO 15156



## List of the main components

### LGK type ball valve

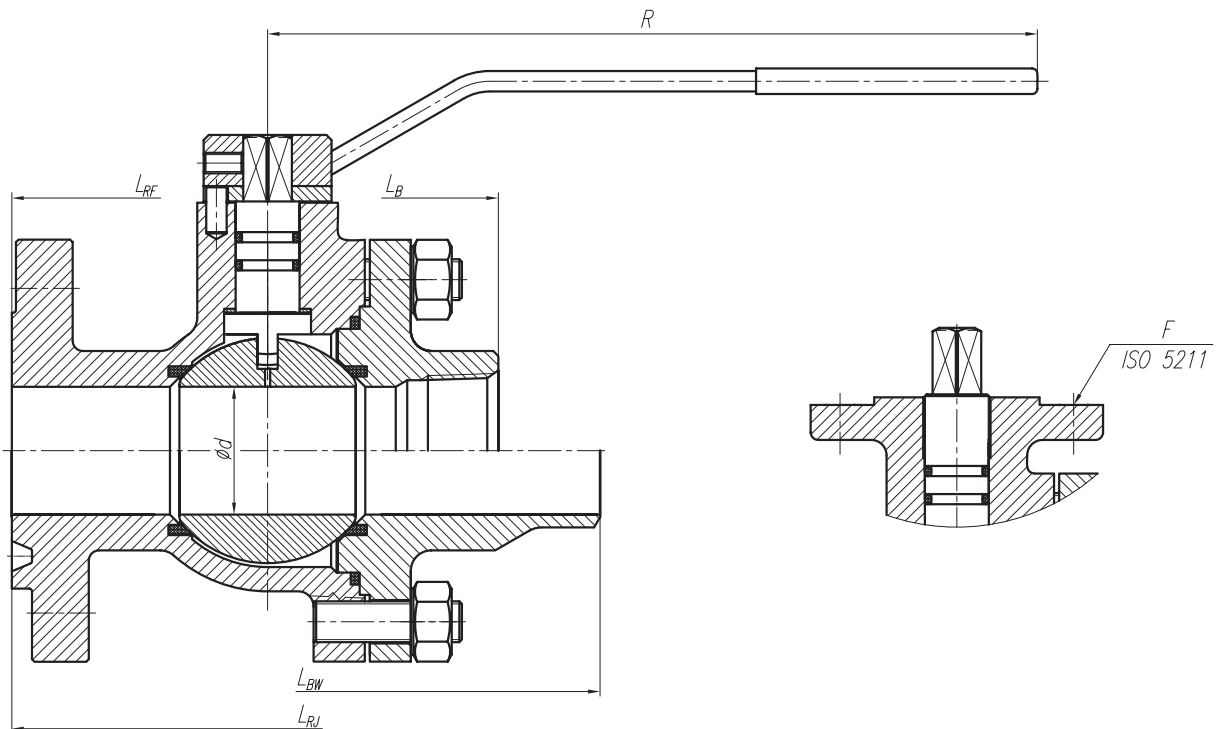


N°	Description	Standard design		NACE design	Corrosion-resistant design
		T= -29°C ~ +150°C	T= -46°C ~ +150°C	T= -46°C ~ +120°C	T= -60°C ~ +150°C
1	Body	ASTM A105 ASTM A216 WCB	ASTM A350 LF2 ASTM A352 LCC	ASTM A350 LF2 ASTM A352 LCC	ASTM A351 CF8M ASTM A479 316(L)
2	Flanged connection	ASTM A105 ASTM A216 WCB	ASTM A350 LF2 ASTM A352 LCC	ASTM A350 LF2 ASTM A352 LCC	ASTM A351 CF8M ASTM A479 316(L)
3	Driving stem	ASTM A276 410	ASTM A276 410	ASTM A182 F51	ASTM A276 316(L)
4	Ball	ASTM A105+ENP	ASTM A350 LF2+ENP	ASTM A182 F51 (+ENP)	ASTM A276 316(L) (+ENP)
5	Gasket ring	PTFE DEVLON-V	PTFE DEVLON-V	PTFE DEVLON-V	PTFE DEVLON-V
6	Body sealing	VITON Spiral Wound	VITON Spiral Wound	VITON Spiral Wound	VITON FVMQ Spiral Wound
7	Stud bolt	ASTM A320 L7M	ASTM A320 L7M	ASTM A320 L7M	ASTM A193 B8M Cl.2
8	Nut	ASTM A194 2HM	ASTM A194 2HM	ASTM A194 2HM	ASTM A194 8M
	"O"-ring	VITON	VITON GLT	VITON GLT	VITON FVMQ

- ENP = Electroless Nickel Plating
- For other mediums, orders on material quality is based on temperature
- The material quality of the "O"-ring can depend on the medium

# Chart of dimensions

LGK type ball valve  
ANSI



## CLASS 150

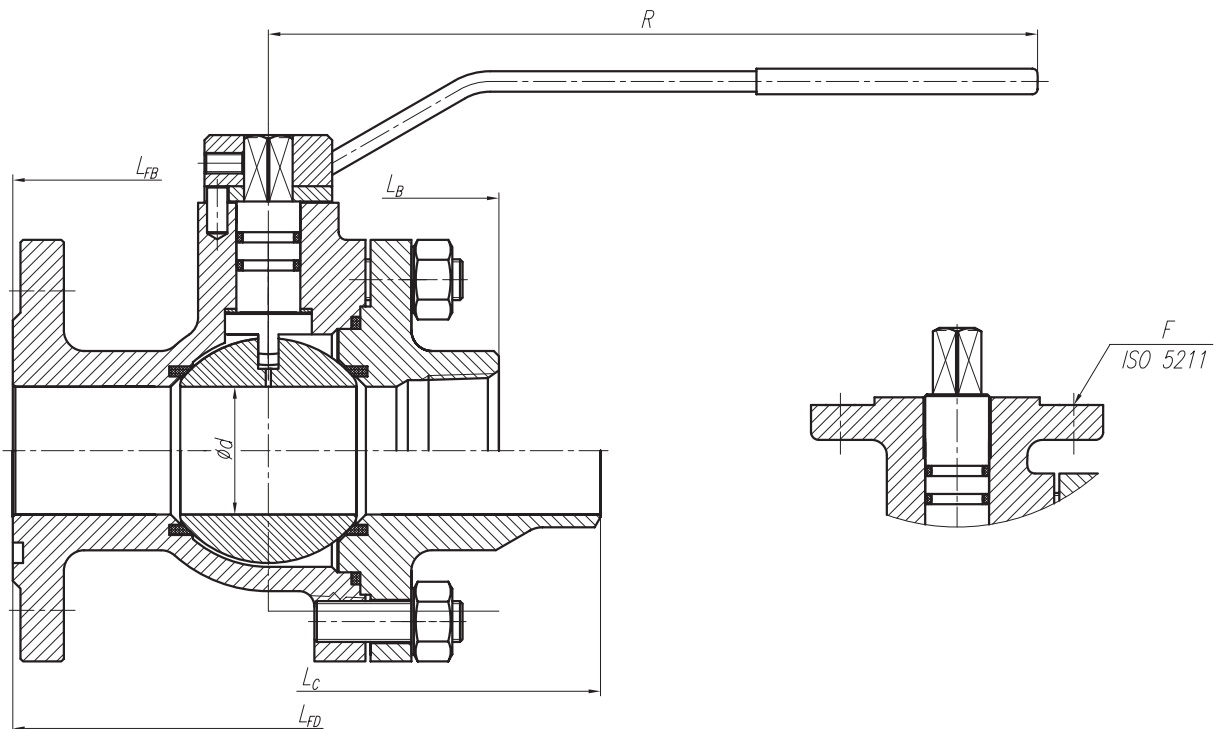
NPS	d (mm)	L <sub>RF</sub> (mm)	L <sub>RJ</sub> (mm)	L <sub>BW</sub> (mm)	L <sub>B</sub> (mm)	R (mm)	F ISO 5211
1/2"	13	108	---	140	85	160	F03
3/4"	19	117	---	152	100	160	F04
1"	25	127	140	165	115	200	F05
1 1/4"	32	140	153	178	130	250	F05
1 1/2"	38	165	178	190	150	300	F07
2"	49	178	191	216	180	350	F07
2 1/2"	62	190	204	241	---	400	F10
3"	74	203	216	282	---	450	F10
4"	100	229	242	305	---	550	F12
6"	150	394	407	457	---	---	F14

## CLASS 300

NPS	d (mm)	L <sub>RF</sub> (mm)	L <sub>RJ</sub> (mm)	L <sub>BW</sub> (mm)	L <sub>B</sub> (mm)	R (mm)	F ISO 5211
1/2"	13	140	151	140	85	160	F03
3/4"	19	152	165	152	100	160	F04
1"	25	165	178	165	115	200	F05
1 1/4"	32	178	191	178	130	250	F05
1 1/2"	38	190	203	190	150	300	F07
2"	49	216	232	216	180	350	F07
2 1/2"	62	241	257	241	---	400	F10
3"	74	282	298	282	---	450	F10
4"	100	305	321	305	---	550	F12
6"	150	403	419	457	---	---	F14

# Chart of dimensions

## LGK type ball valve EN



LGK

### PN 16

DN	d (mm)	LFB: LFD (mm)	Lc (mm)	Lb (mm)	R (mm)	F ISO 5211
10	13	130	130	85	160	F03
20	19	150	150	100	160	F04
25	25	160	160	115	200	F05
32	32	180	180	130	250	F05
40	38	200	200	150	300	F07
50	49	230	230	180	350	F07
65	62	290	290	---	400	F10
80	74	310	310	---	450	F10
100	100	350	350	---	550	F12
150	150	480	480	---	---	F14

### PN 25; PN 40

DN	d (mm)	LFB: LFD (mm)	Lc (mm)	Lb (mm)	R (mm)	F ISO 5211
10	13	130	130	85	160	F03
20	19	150	150	100	160	F04
25	25	160	160	115	200	F05
32	32	180	180	130	250	F05
40	38	200	200	150	300	F07
50	49	230	230	180	350	F07
65	62	290	290	---	400	F10
80	74	310	310	---	450	F10
100	100	350	350	---	550	F12
150	150	480	480	---	---	F14